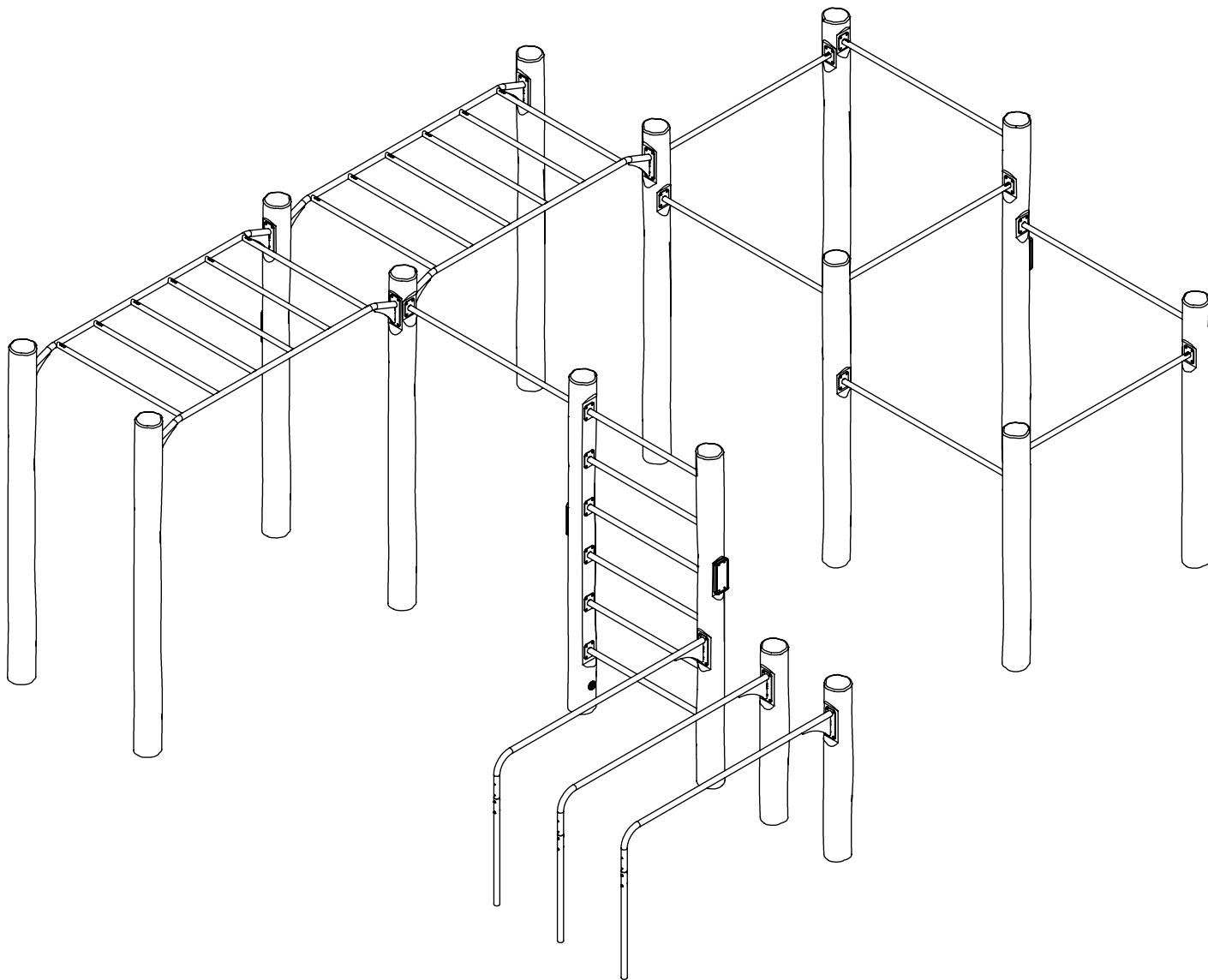


RB2327



8,5h

48h

K25
x16

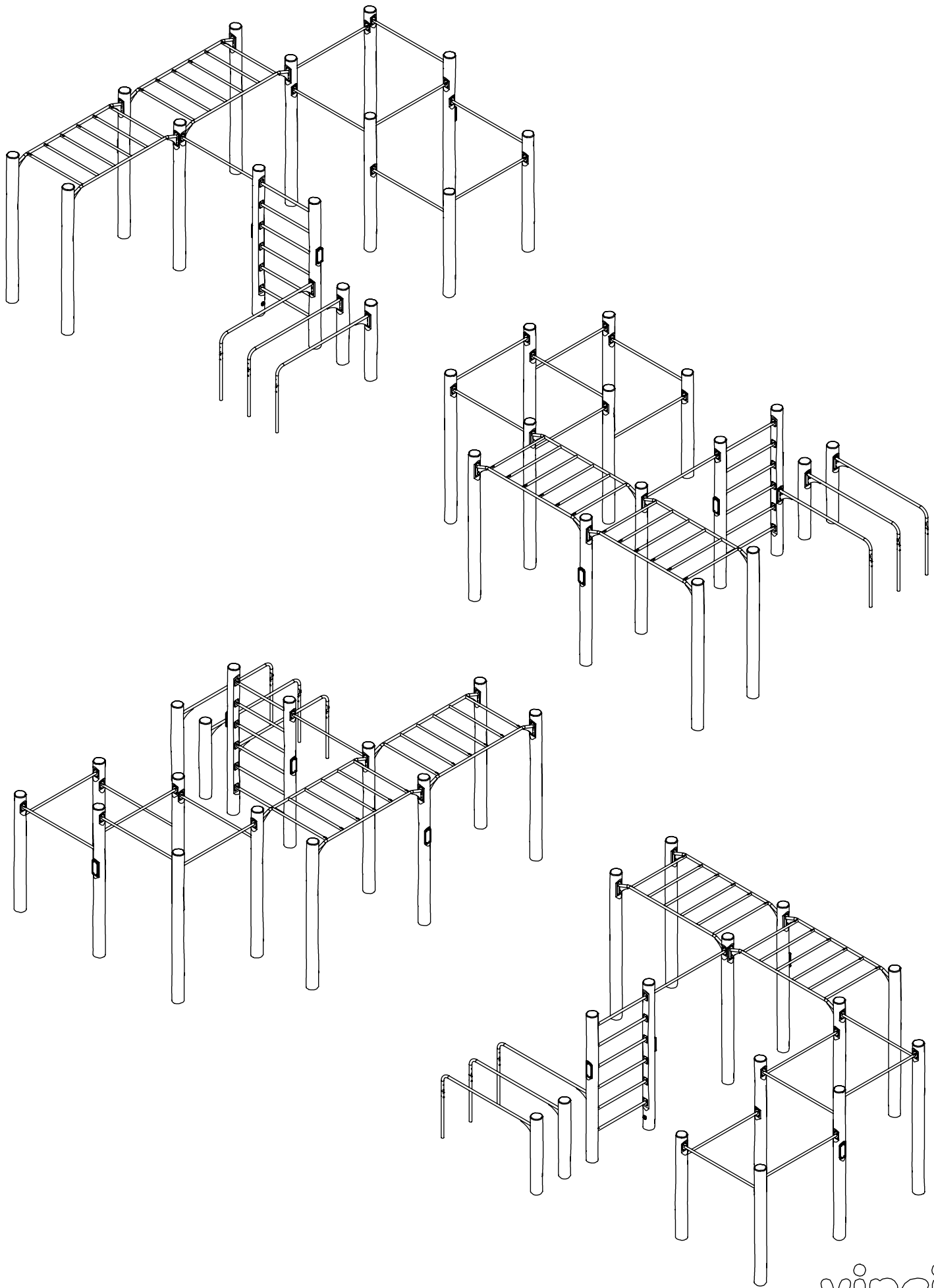
K29
x3

228
HIC



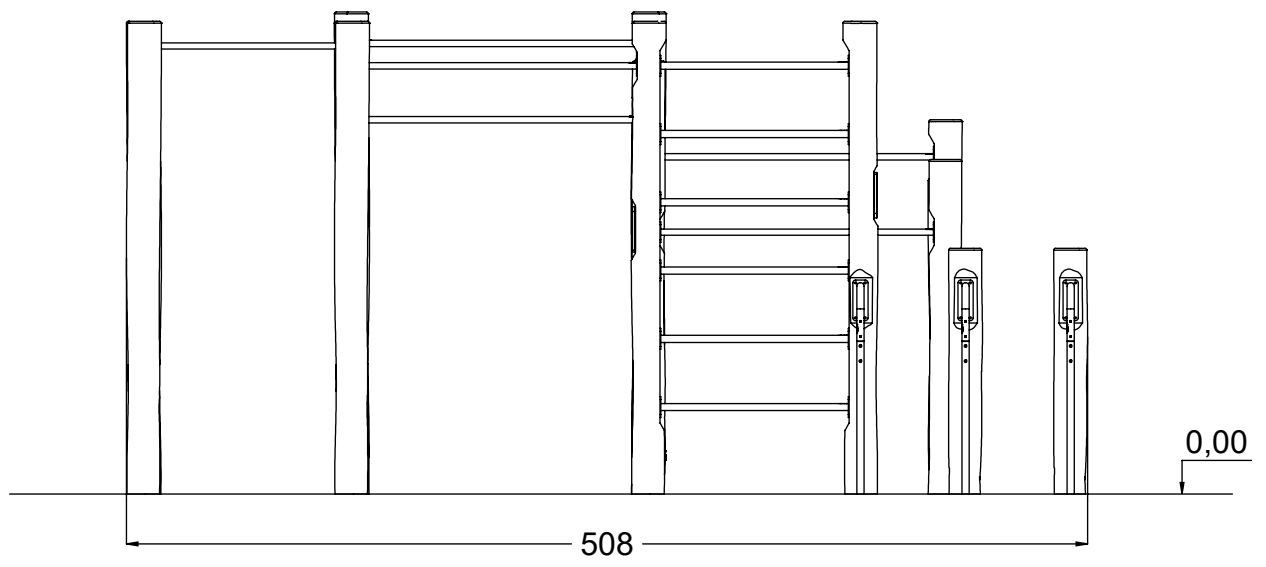
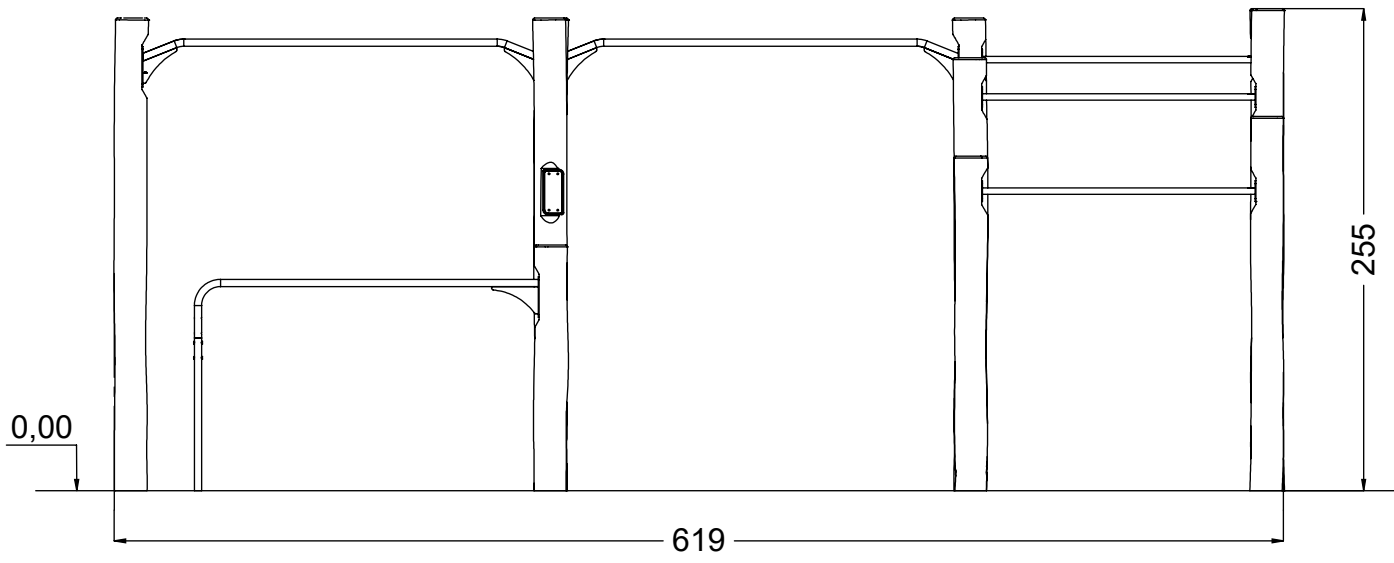
v011
16.02.2022
A. H.
[cm]

vinci
play



[cm]

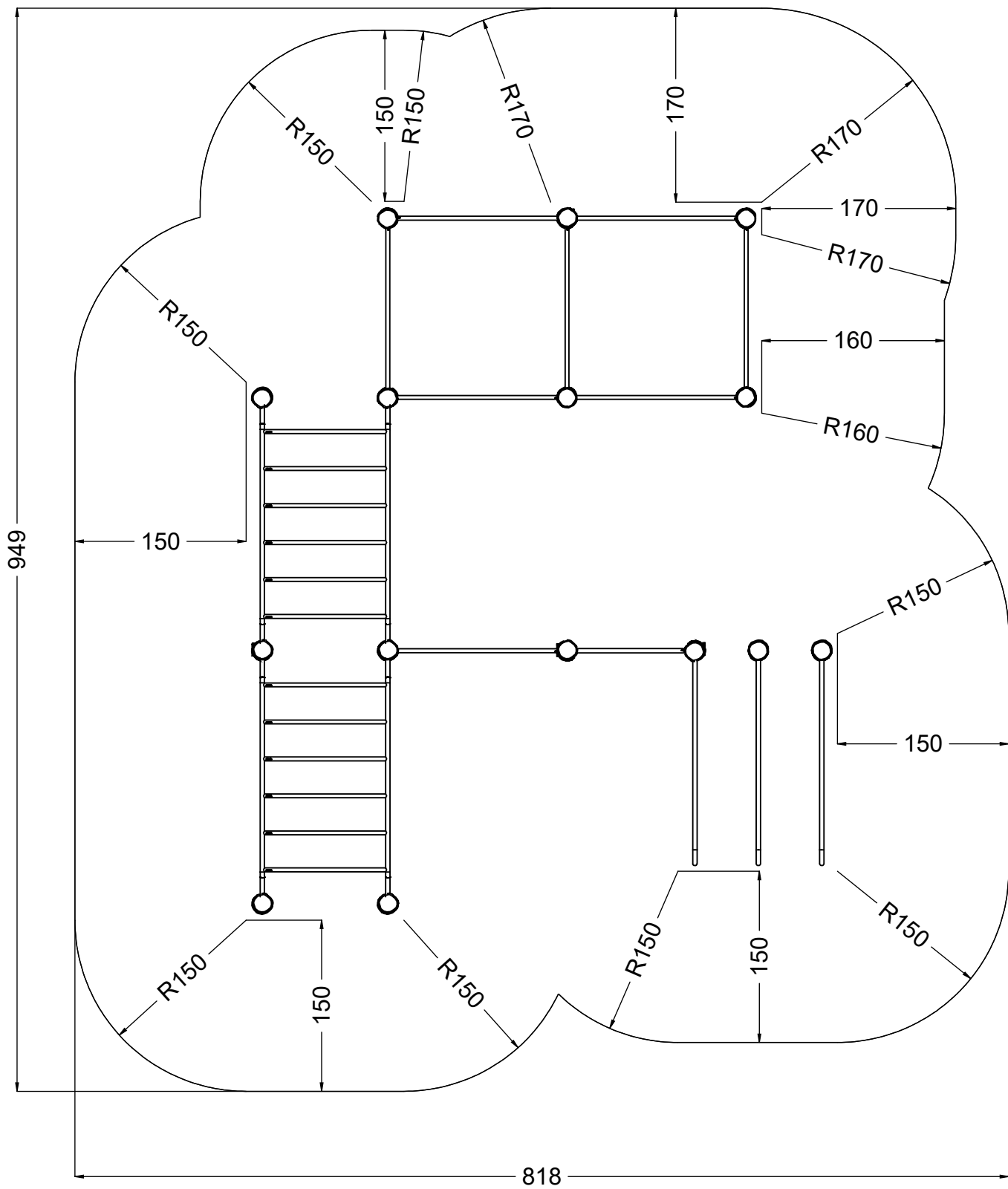
vinci
play



[cm]



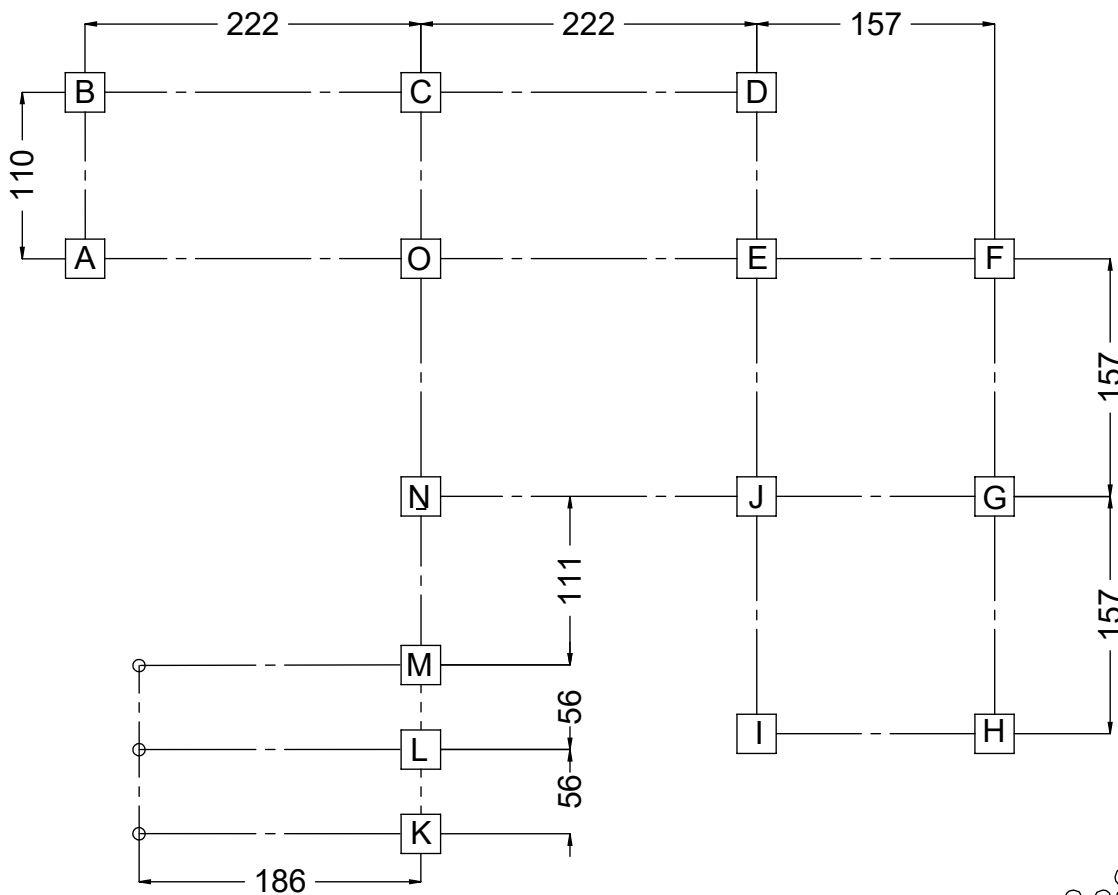
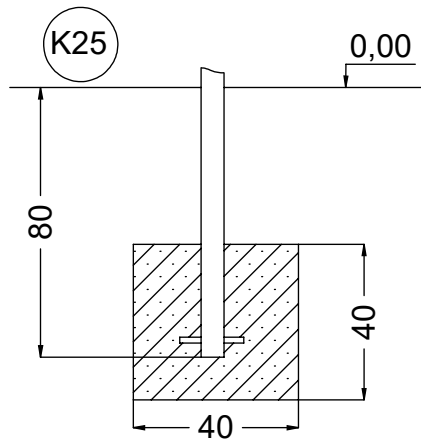
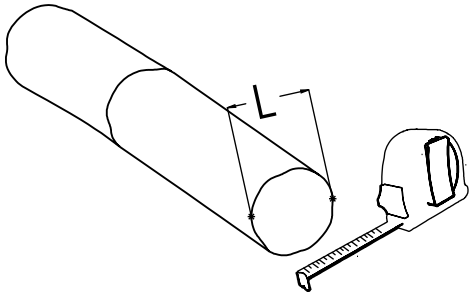
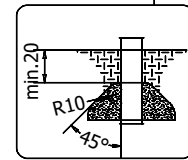
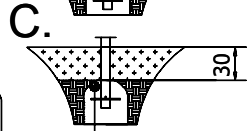
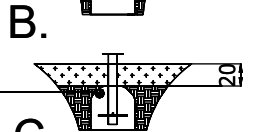
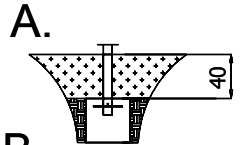
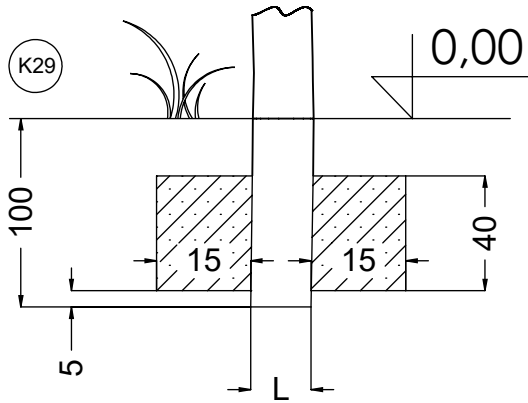
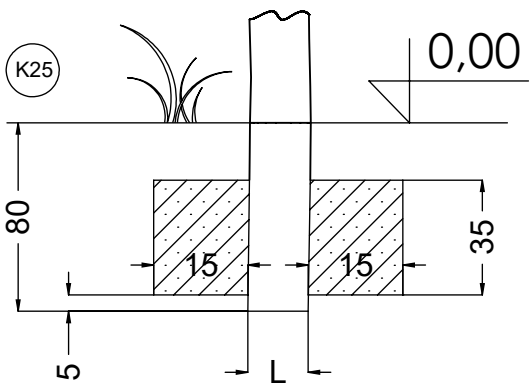
vinci
play



[cm]



vinci
play



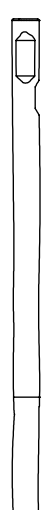
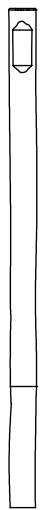
[cm]



8,5h



vinci
play



127673 A, B, D
x3

127656 C
x1

127659 E
x1

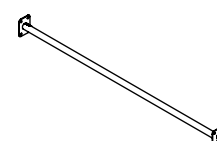
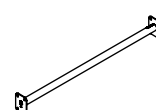
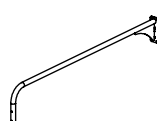
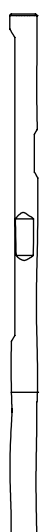
127660 F
x1

127661 G
x1

127664 H
x1

127663 I
x1

127662 J
x1



127599 K, L
x2

127649 M
x1

127675 N
x1

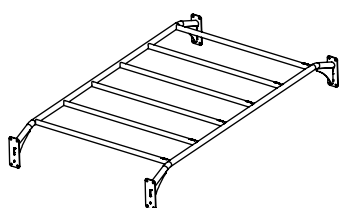
127674 O
x1

232102
x3

232100
x6

232106
x8

233120
x3

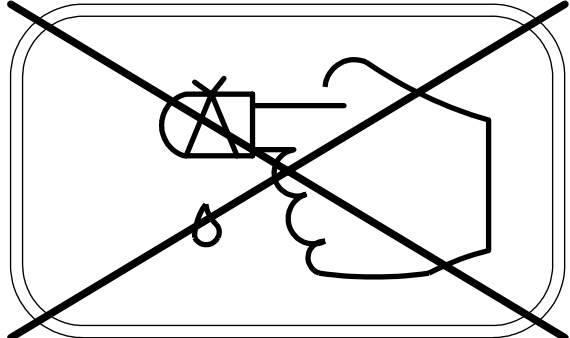
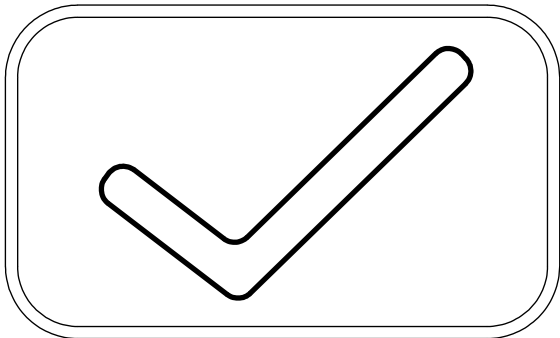
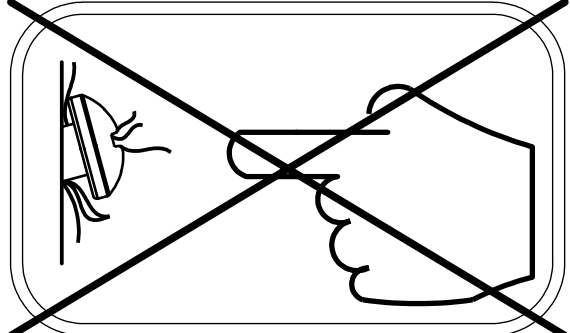
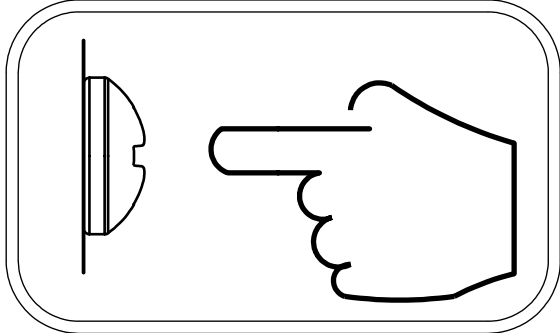
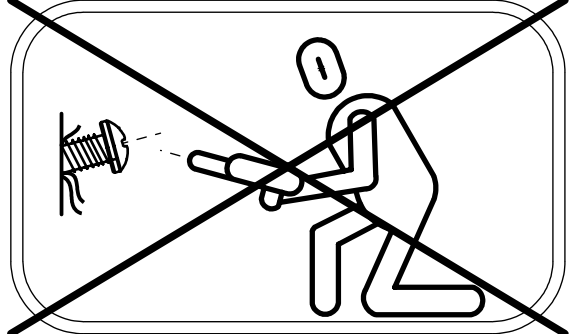
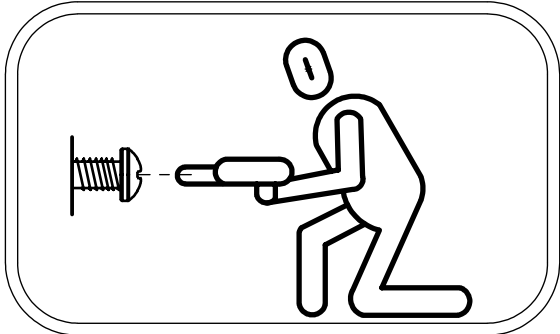


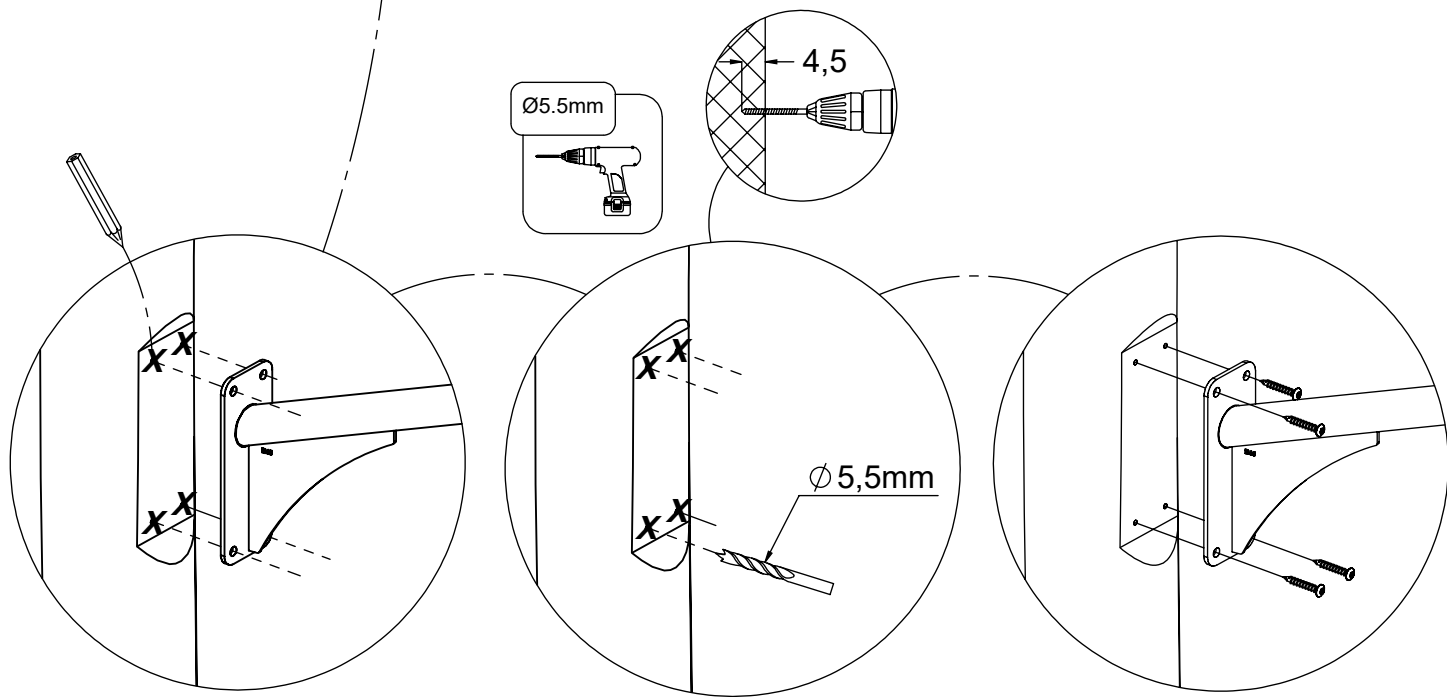
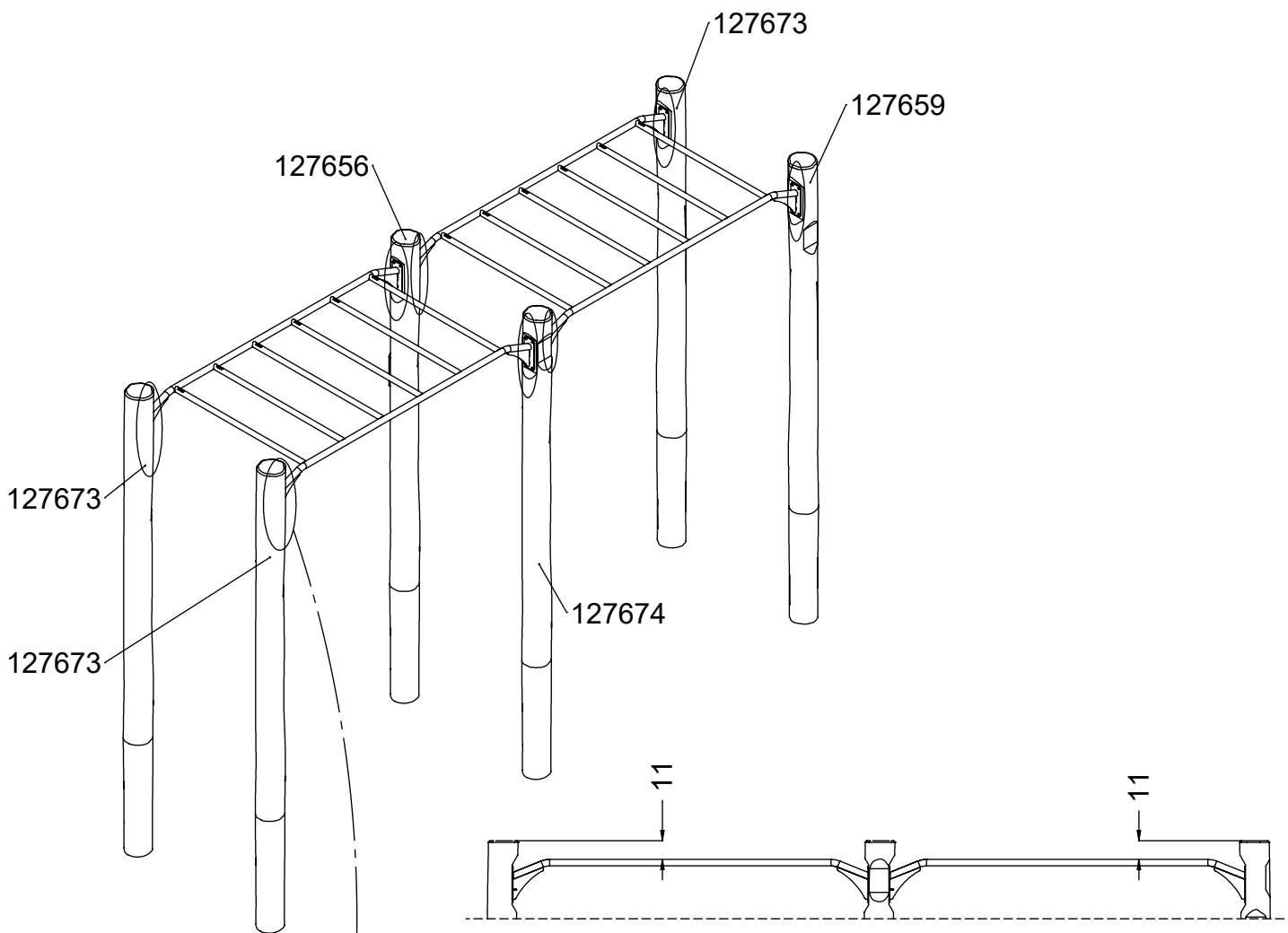
232111
x2

172x	8x50sxi
1x	7x35sxi
4x	231101
1x	231111
1x	126303
1x	126307
1x	126309
1x	126314
24x	M8x16

[cm]

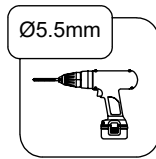
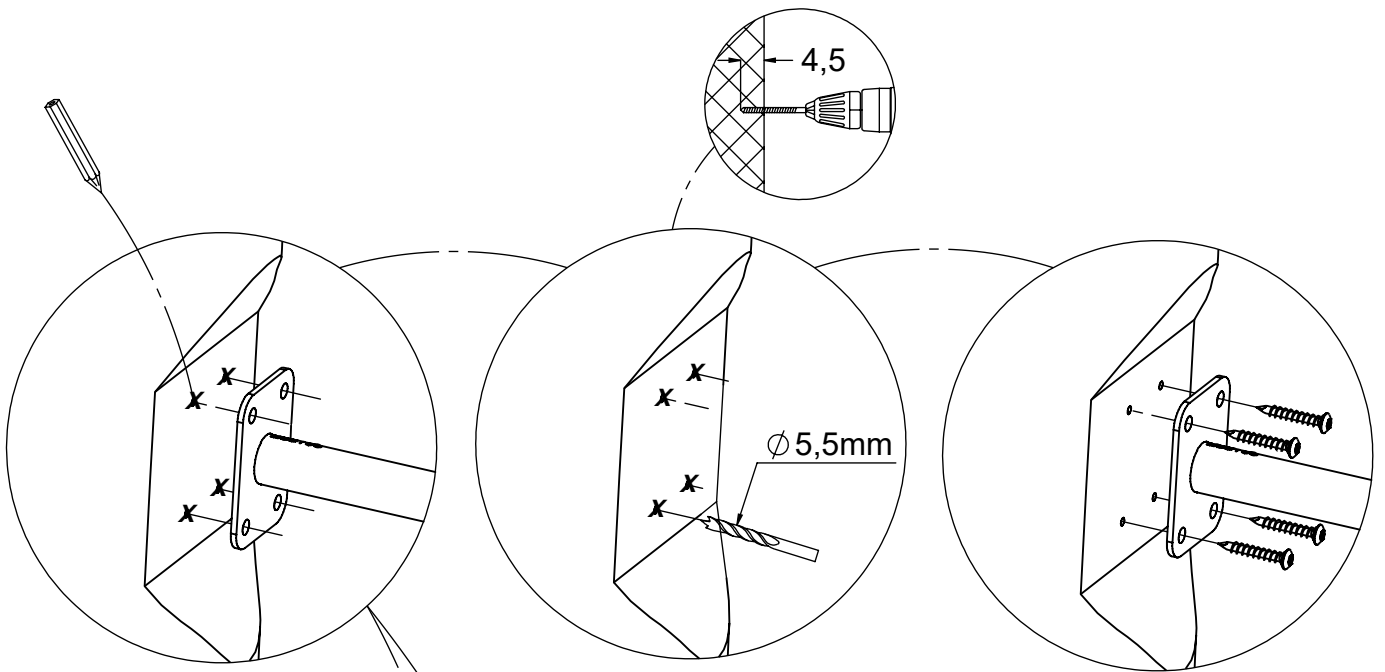
vinci
play



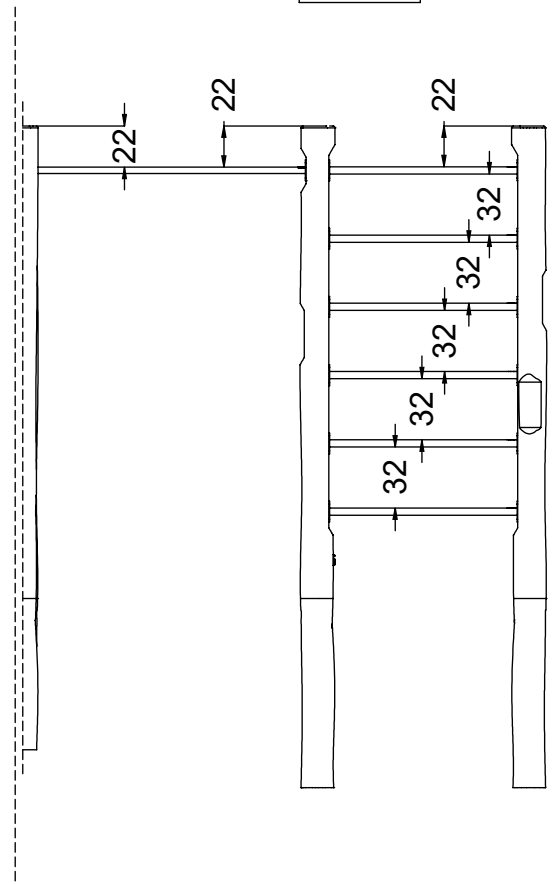
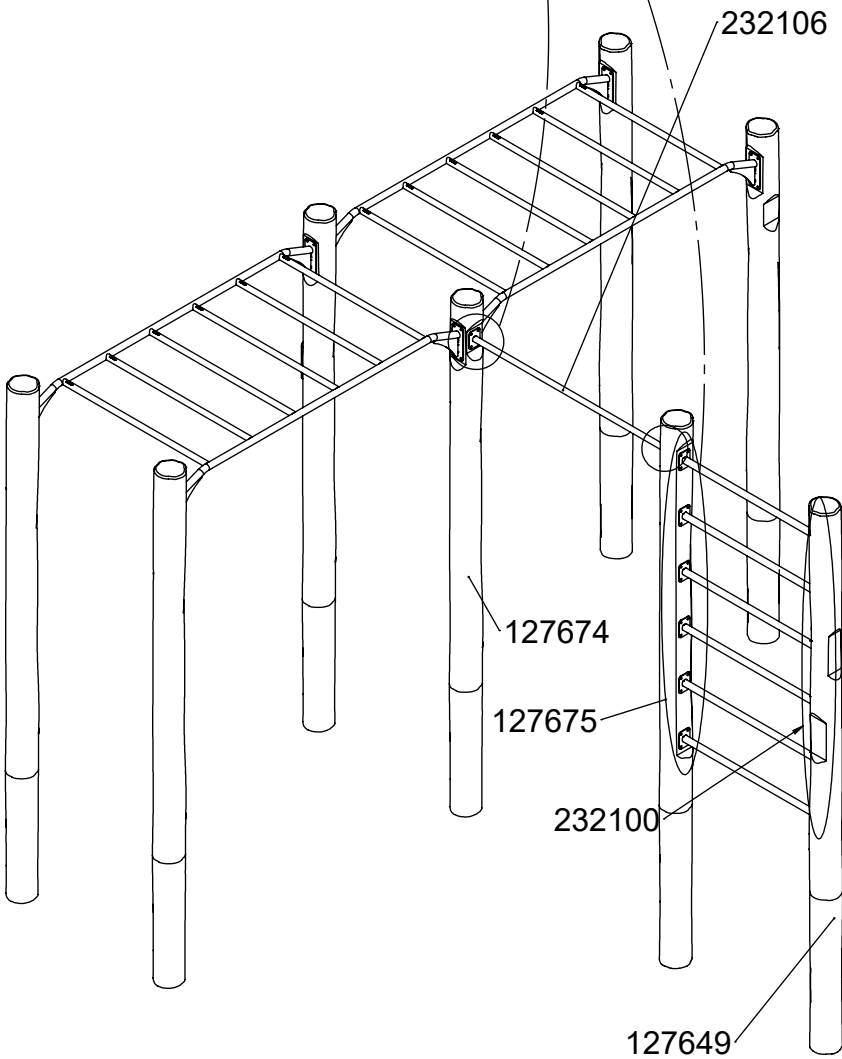


32x8x50sxi

vinci
play

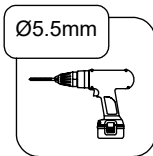
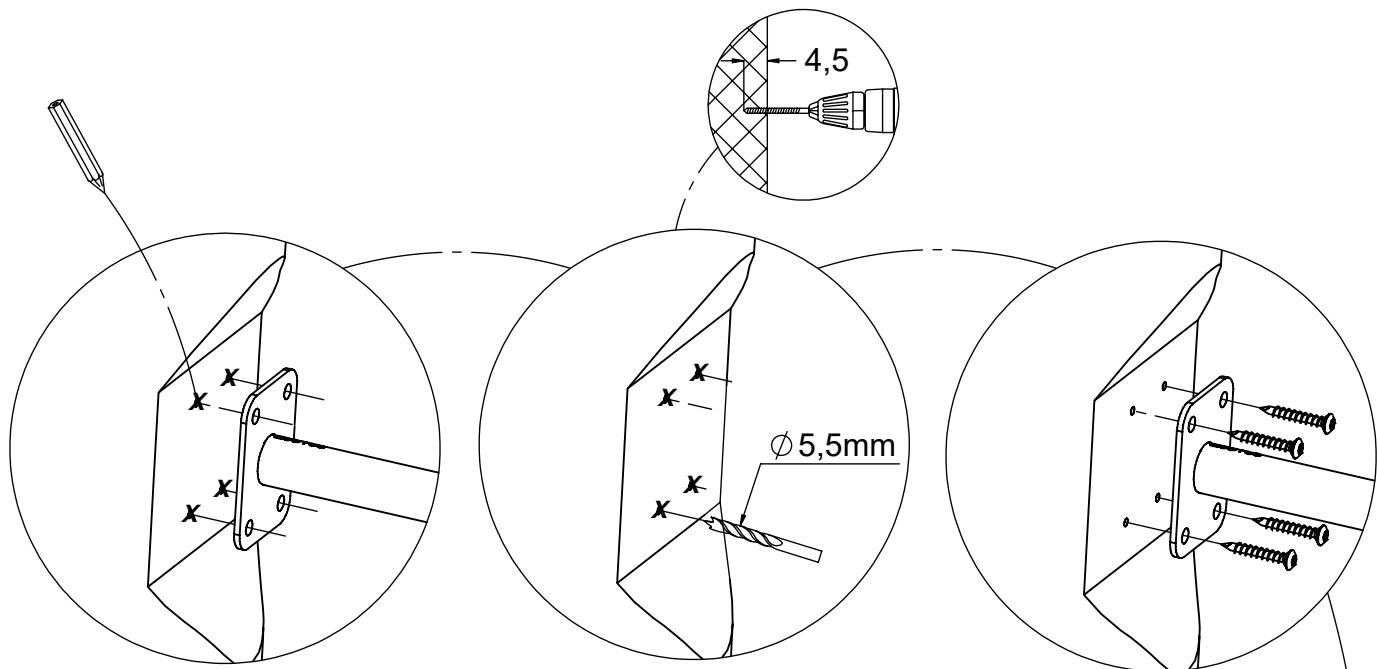


56x8x50sxi



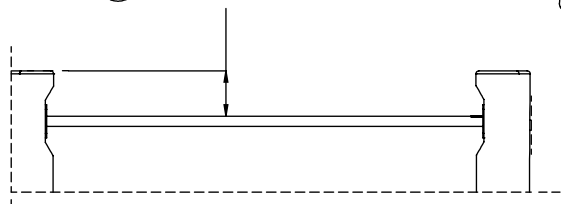
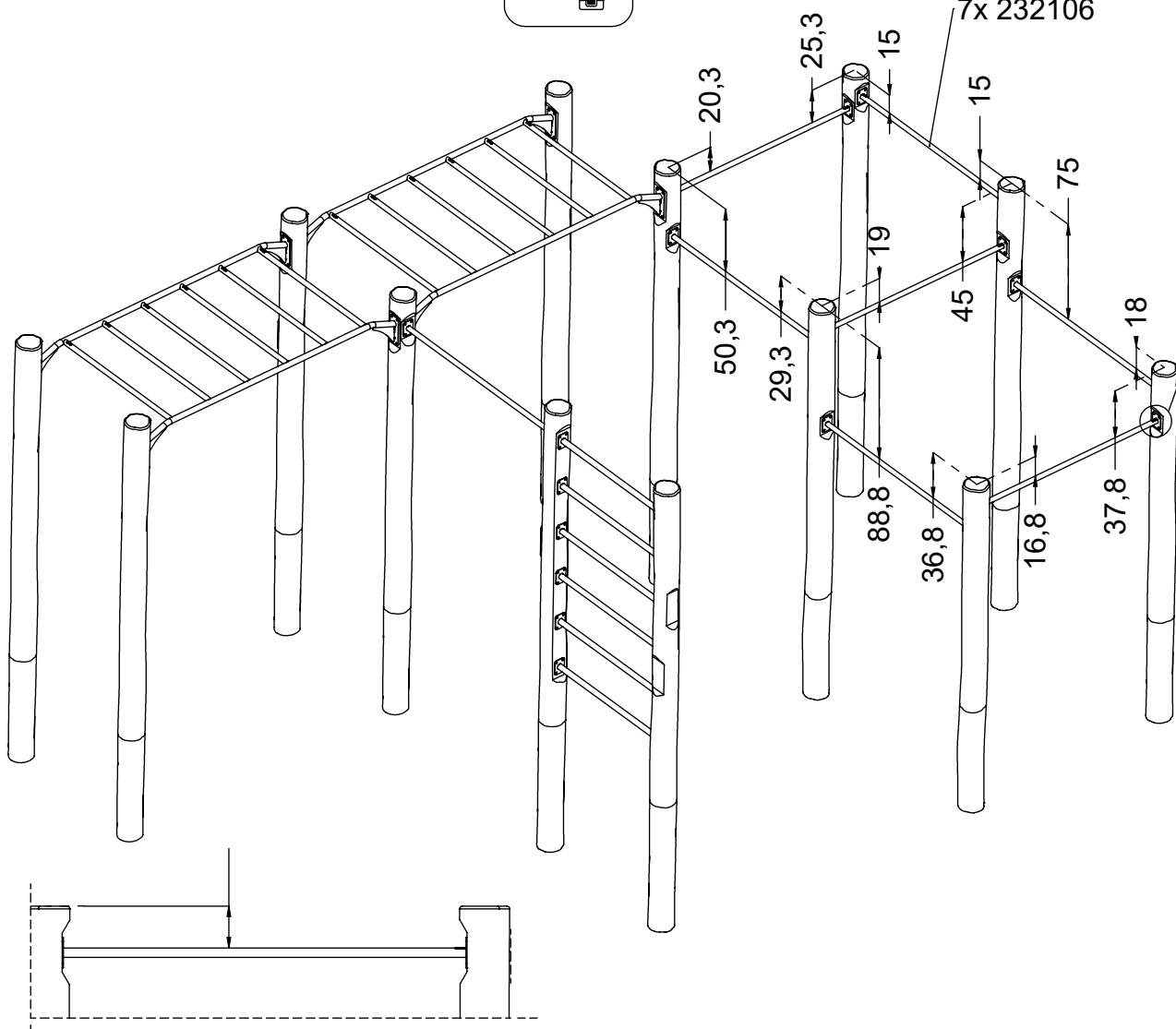
[cm]

vinci
play



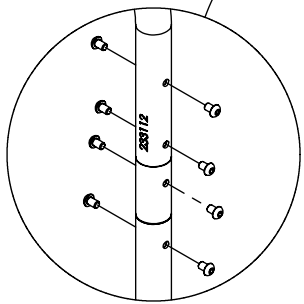
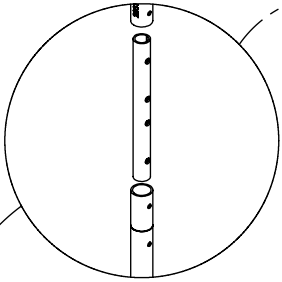
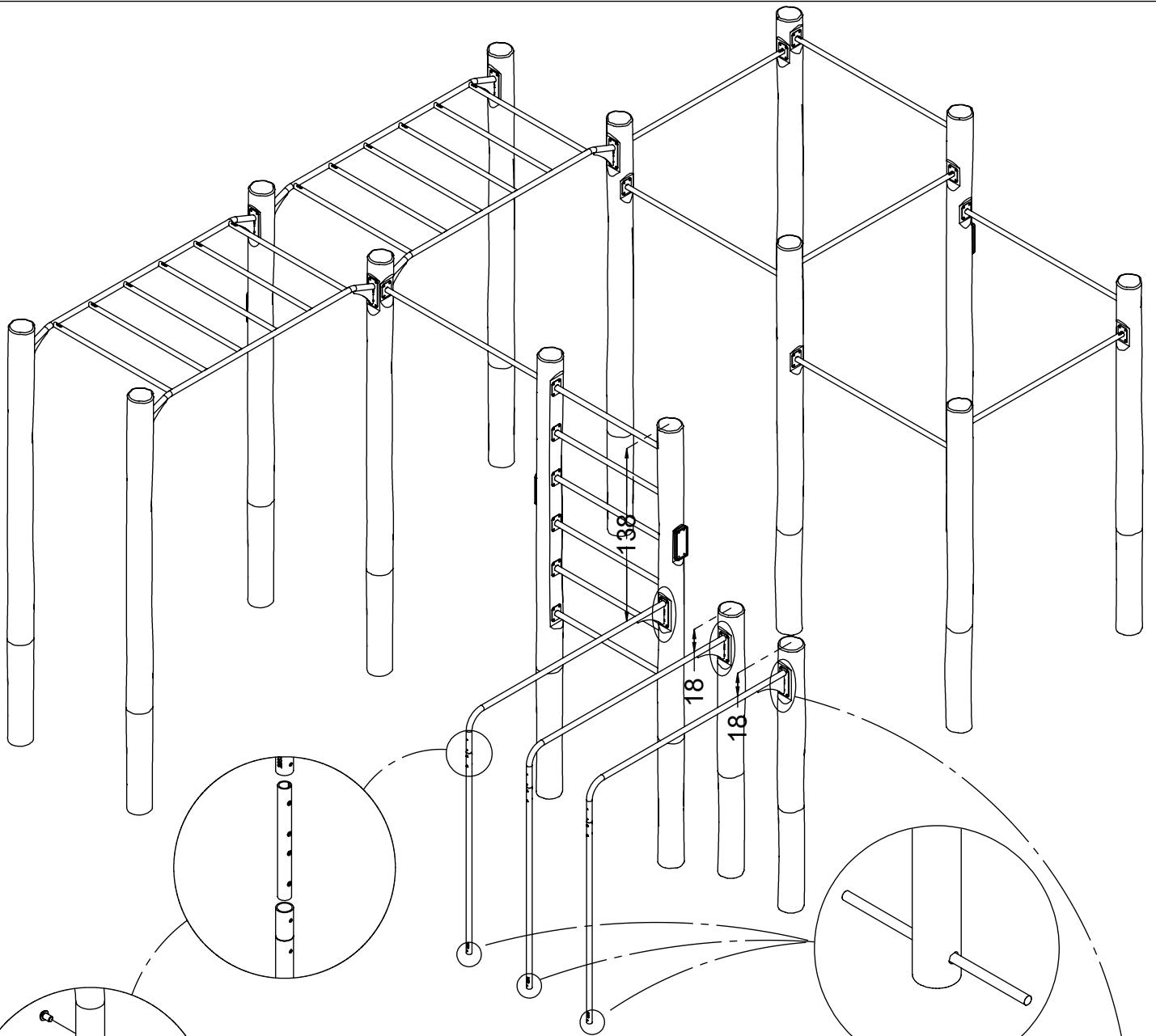
56x8x50sxi

7x 232106

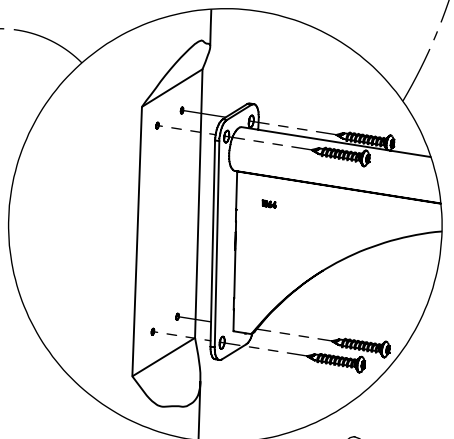
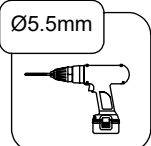
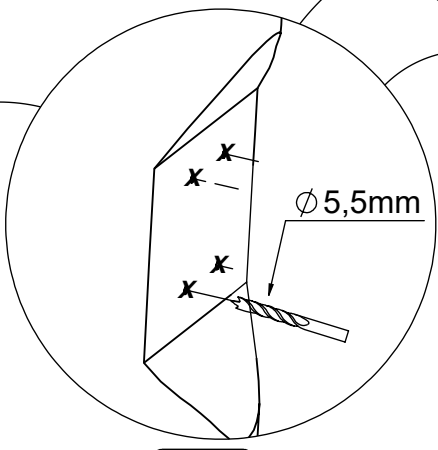
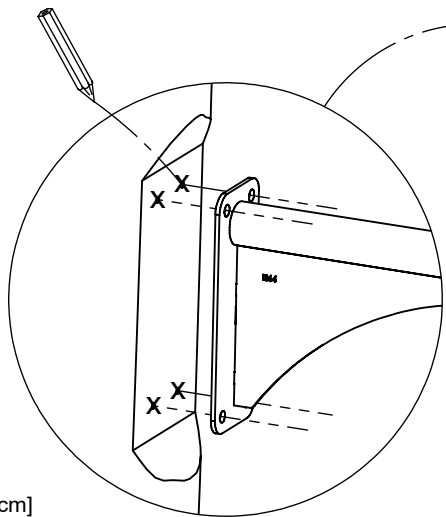
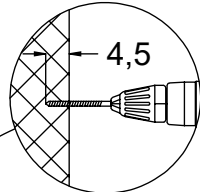
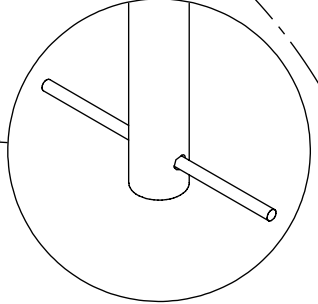


[cm]

vinci
play



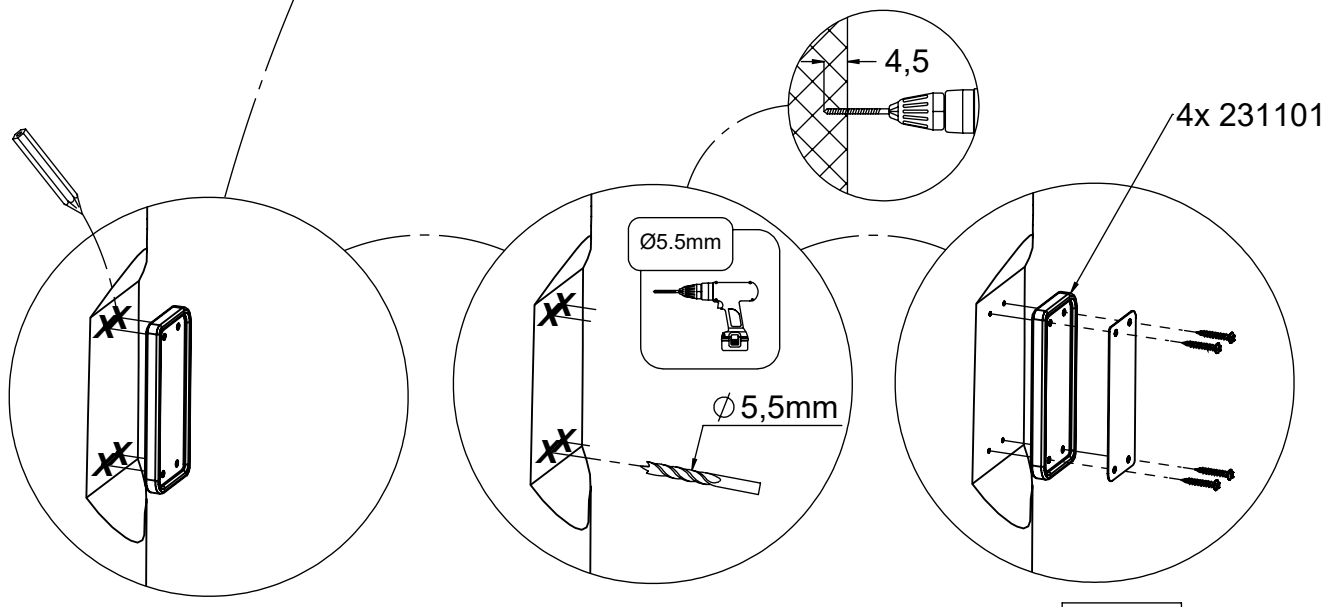
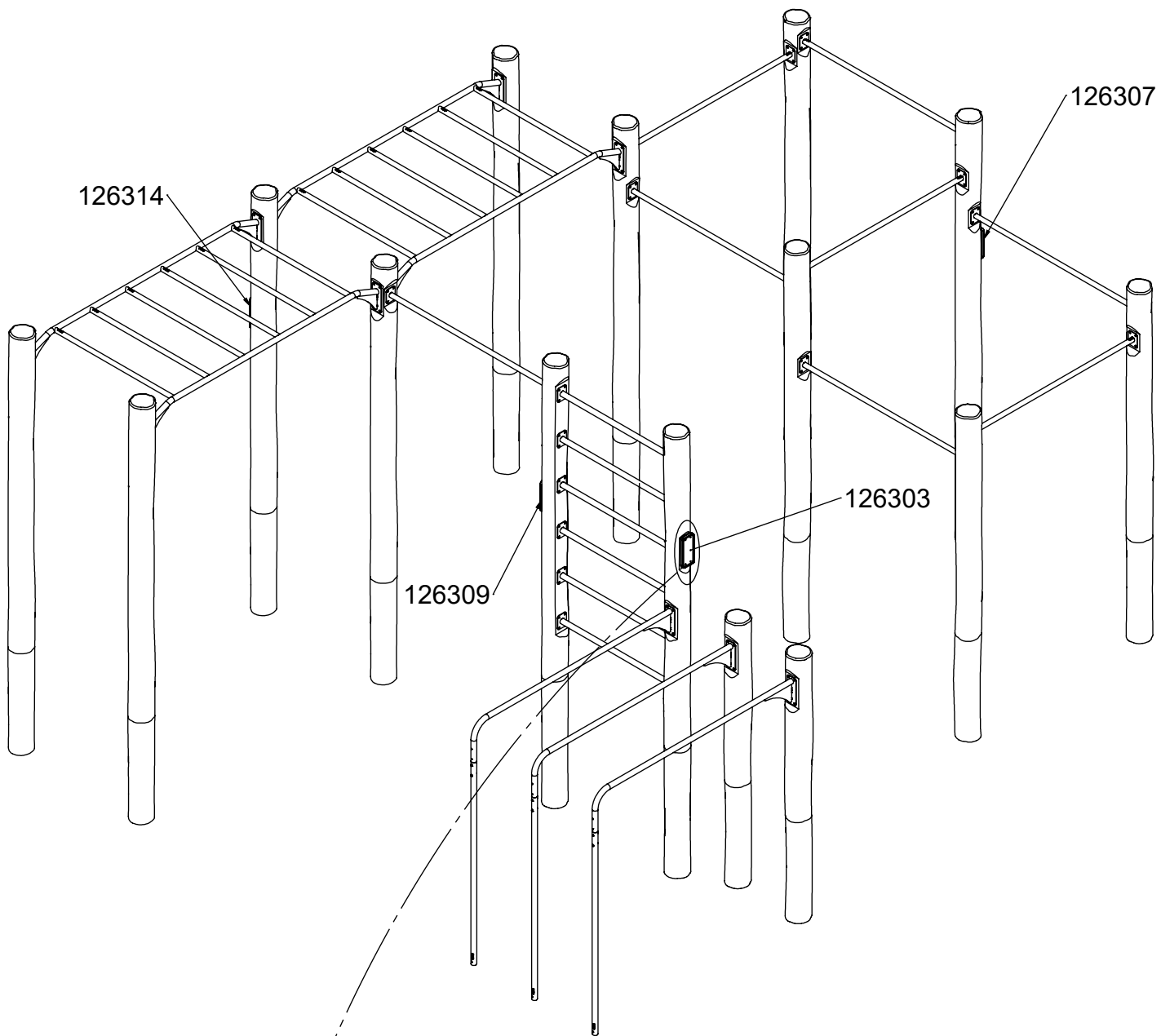
24x M8x16



12x 8x50sxi

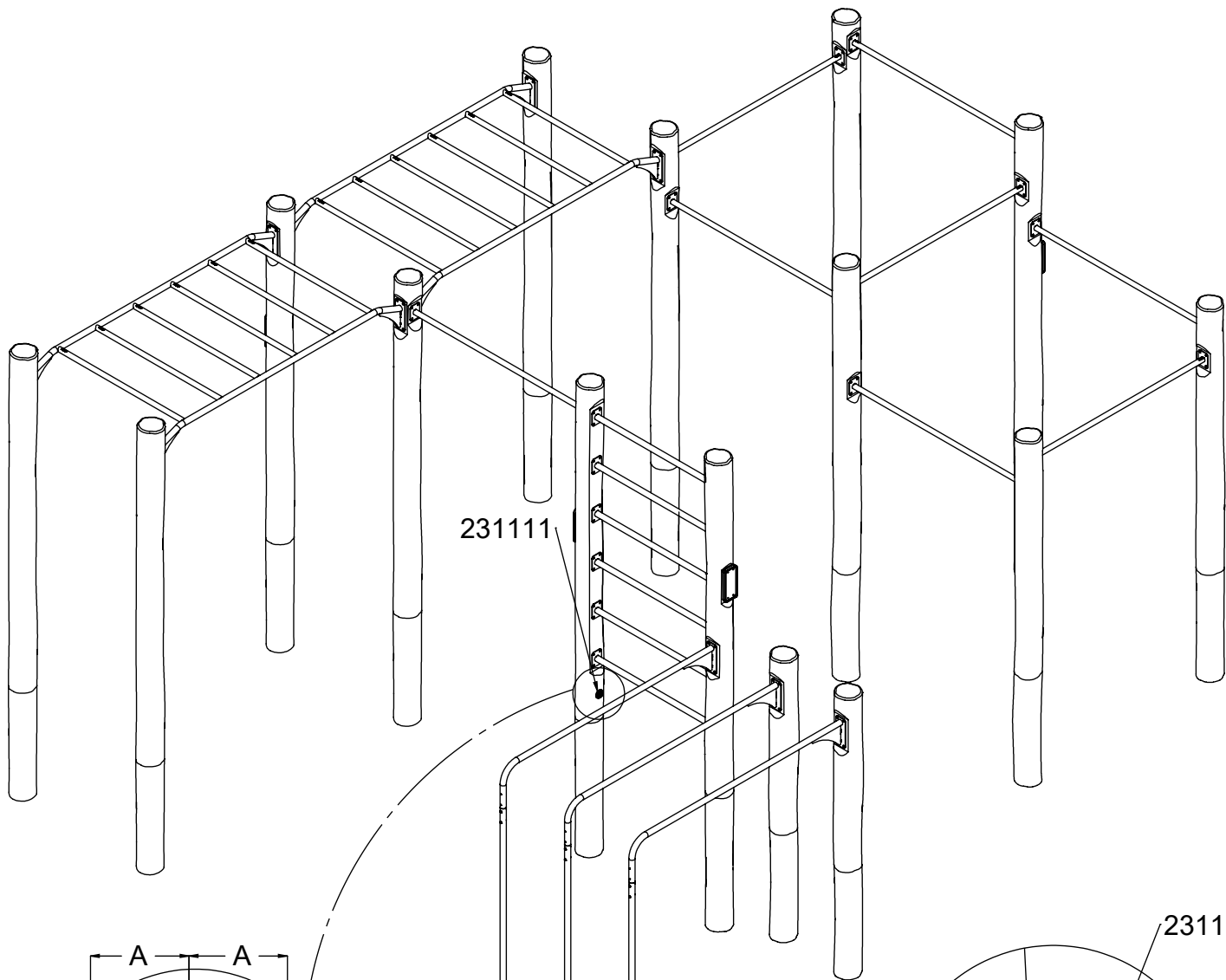
vinci play

[cm]



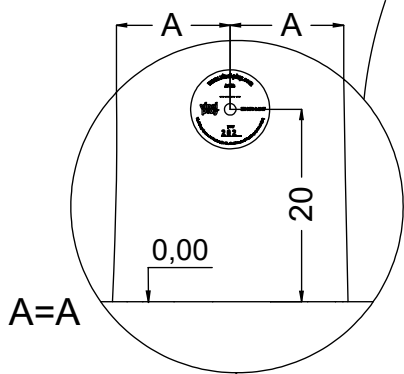
[cm]

vinci
play

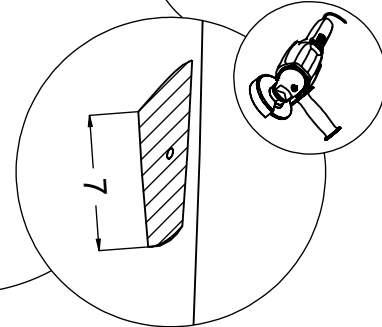
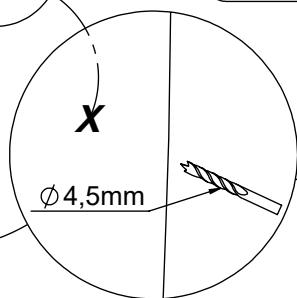
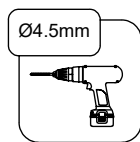
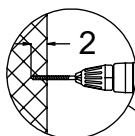
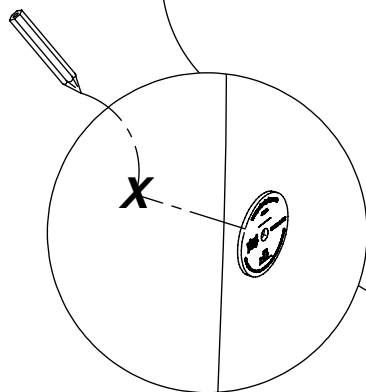
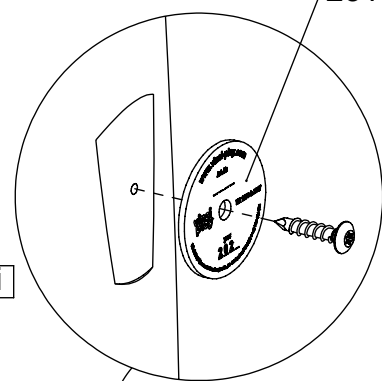


231111

231111

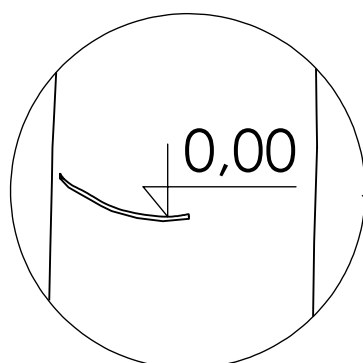
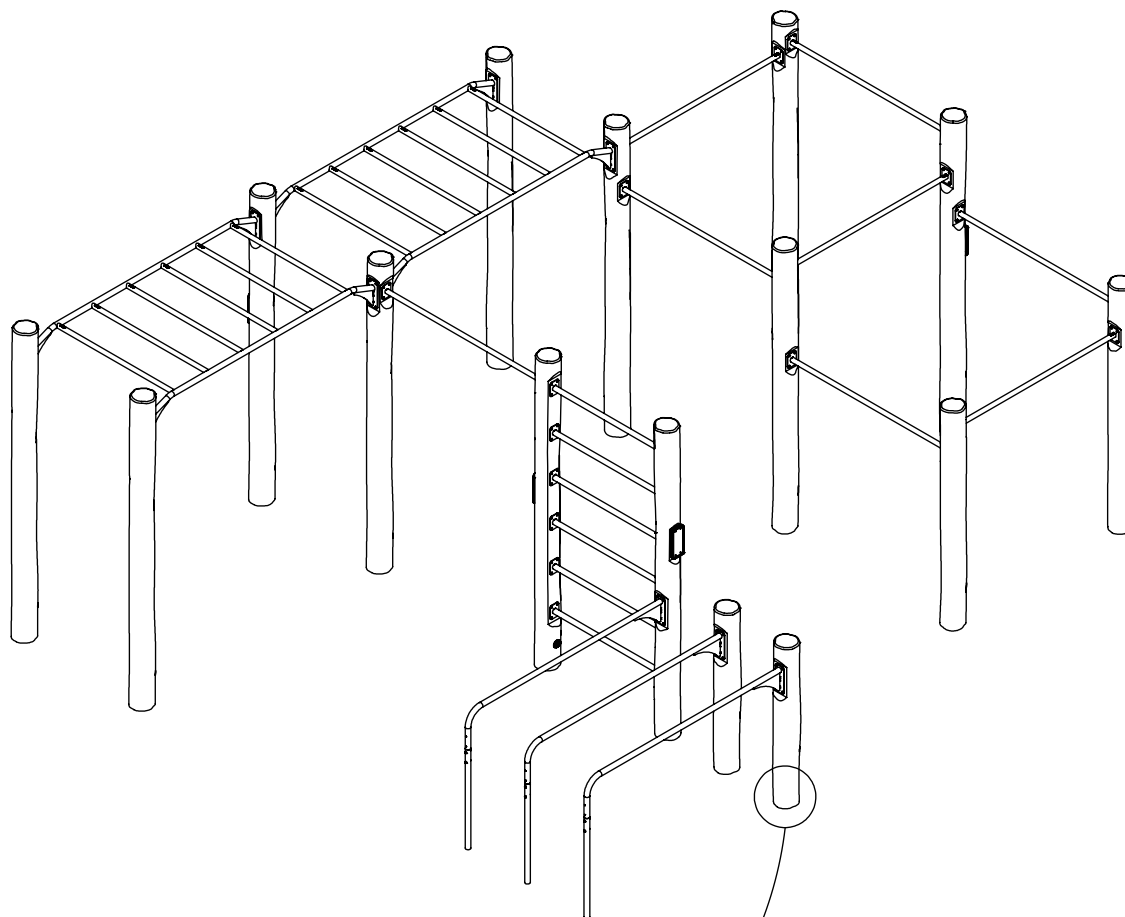


1x 7x35sxi



[cm]

vinci
play



Part No:
000000-
00000

000000-00000