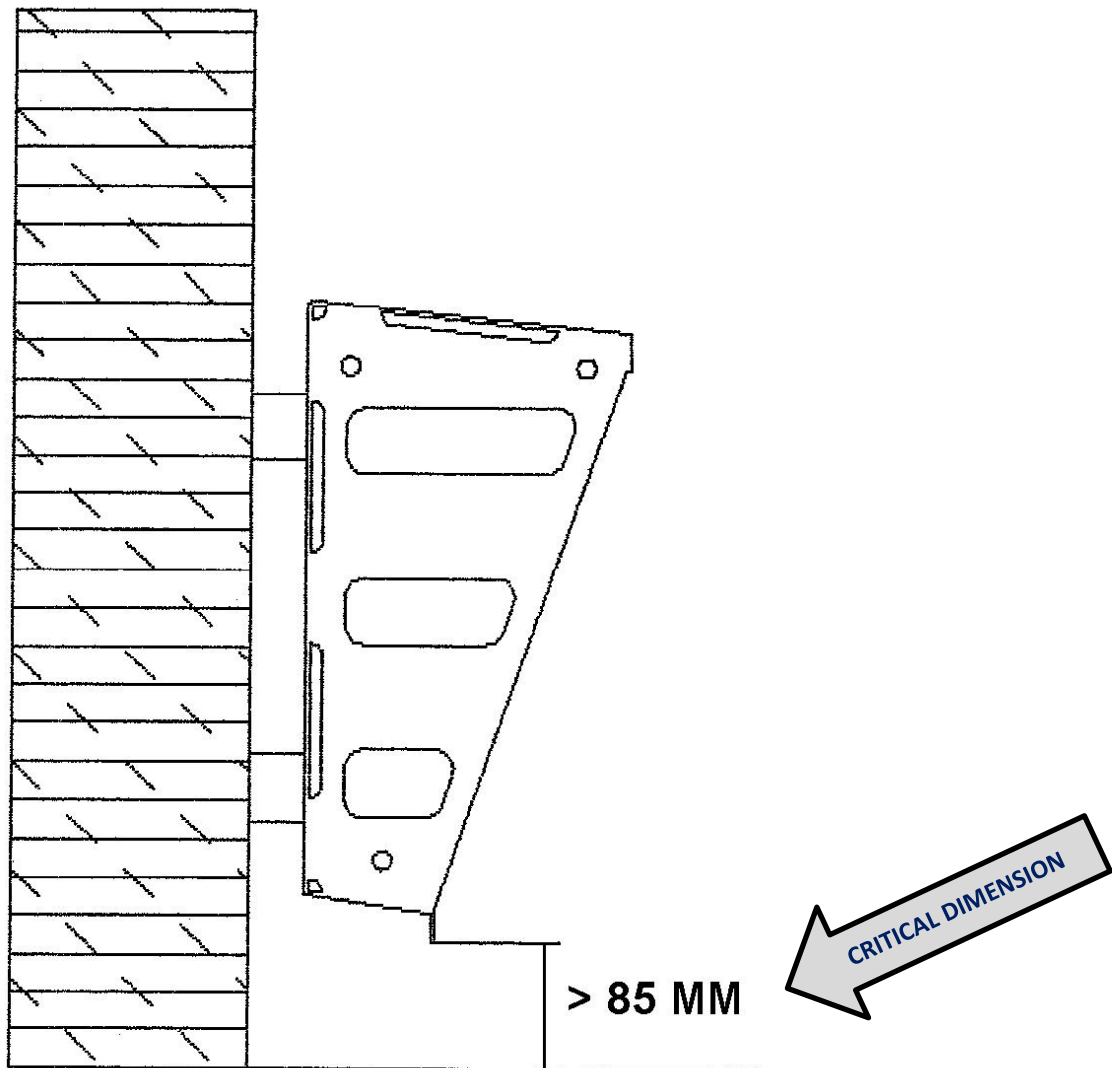


MOUNTING INSTRUCTION (WALL MOUNTING)

HOLES \varnothing 12 MM FOR RAWPLUGS AND LAG SCREW: M10 X 100MM (6 PCS)

PLEASE NOTE:

IN ORDER TO OBTAIN THE DESIRED FUNCTION OF THE SCOOTER RACK IT IS CRITICAL THAT THE CLEARANCE FROM THE GROUND LEVEL UP TO THE UNDERSIDE OF THE DRIP EDGE MUST BE MUST 85MM



CONCRETING INSTRUCTION

1. DIGGING OF CONCRETING HOLE: 500 X 200 X 200 MM
2. CONCRETING TUBES TO BE CONNECTED WITH THE SCOOTER RACK FRAME
3. THE SCOOTER RACK FRAME SHOULD BE FIXATED IN LEVEL AND 85 MM FROM THE UNDERSIDE OF THE DRIP EDGE AND TO GROUND LEVEL, THIS IS A CRITICAL DIMENSION.
4. CONCRETE TO BE POURED INTO THE CONCRETING HOLE. (HARDENING TIME APPROX. 2 DAYS)

